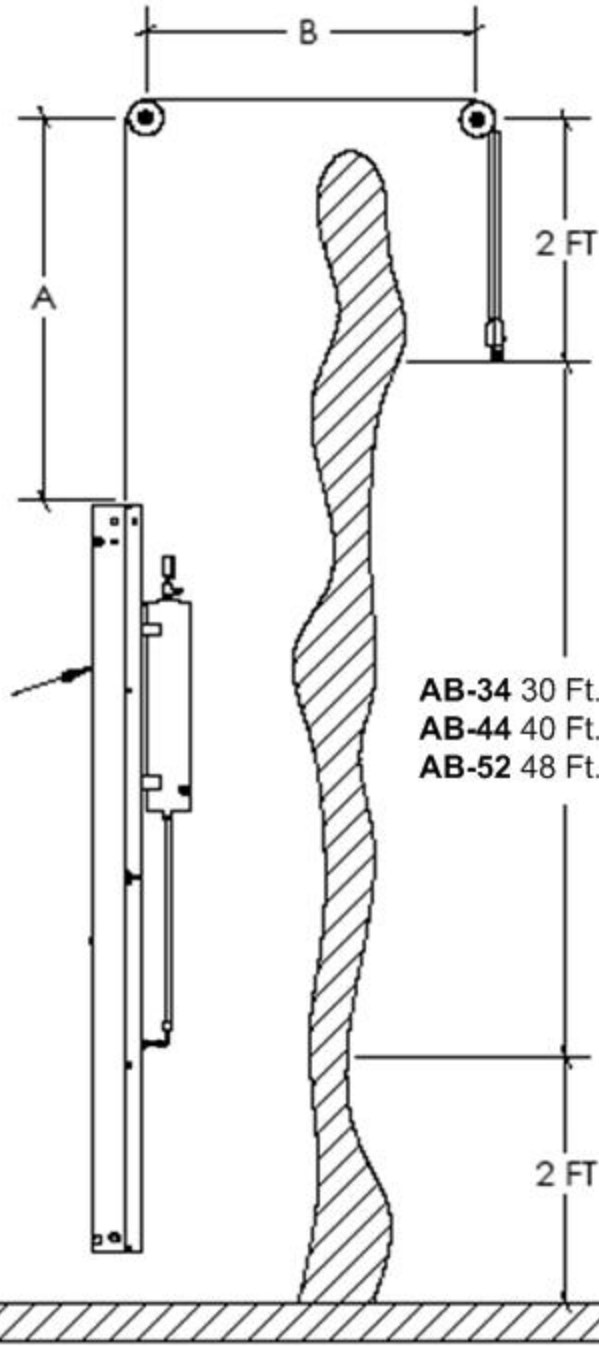


REVISIONS			
REV.	DESCRIPTION	DATE	APPROVED
B	Revision B Release	10/13/09	DC/JW



AB-34
 9 Internal Pulleys
 42 Ft. Internal
 Cable Marine Eye
 Req. (8 Ft. Box)

AB-44
 9 Internal Pulleys
 52 Ft. Internal
 Cable Marine Eye
 Req. (10 Ft. Box)

AB-52
 15 Internal Pulleys
 68.5 Ft. Internal
 Cable Marine Eye
 Req. (8 Ft. Box)

AB-34 30 Ft. Maximum
AB-44 40 Ft. Maximum
AB-52 48 Ft. Maximum

Cable Length Calculation

AB-34 (Ft)=42+A+B+2
AB-44 (Ft)=52+A+B+2
AB-52 (Ft)=68.5+A+B+2

THIRD ANGLE PROJECTION: 	UNLESS OTHERWISE SPECIFIED: DIMENSIONS ARE IN INCHES TOLERANCES: FRACTIONAL ± ANGULAR: MACH ± BEND ± TWO PLACE DECIMAL ± THREE PLACE DECIMAL ± INTERPRET GEOMETRIC TOLERANCING PER: MATERIAL FINISH WEIGHT:	NAME DATE DRAWN Dean Coggins 10/13/09 CHECKED ENG APPR. Dean Coggins 10/13/09 MFG APPR. Q.A. COMMENTS: This Sheet is only valid for the above listed Auto-Belay Models. It is not valid for older Generations
-----------------------------	---	---

extreme engineering
 9198 B Ridge Road
 Newcastle, CA 95658
 (916) 663-1560 TEL
 (916) 663-9246 FAX
 www.extremeengineering.com

SIZE A	DWG. NO. AB-34/AB-44/AB-52 Cable Rev B	REV B
SCALE: 1:25		SHEET 1 OF 1