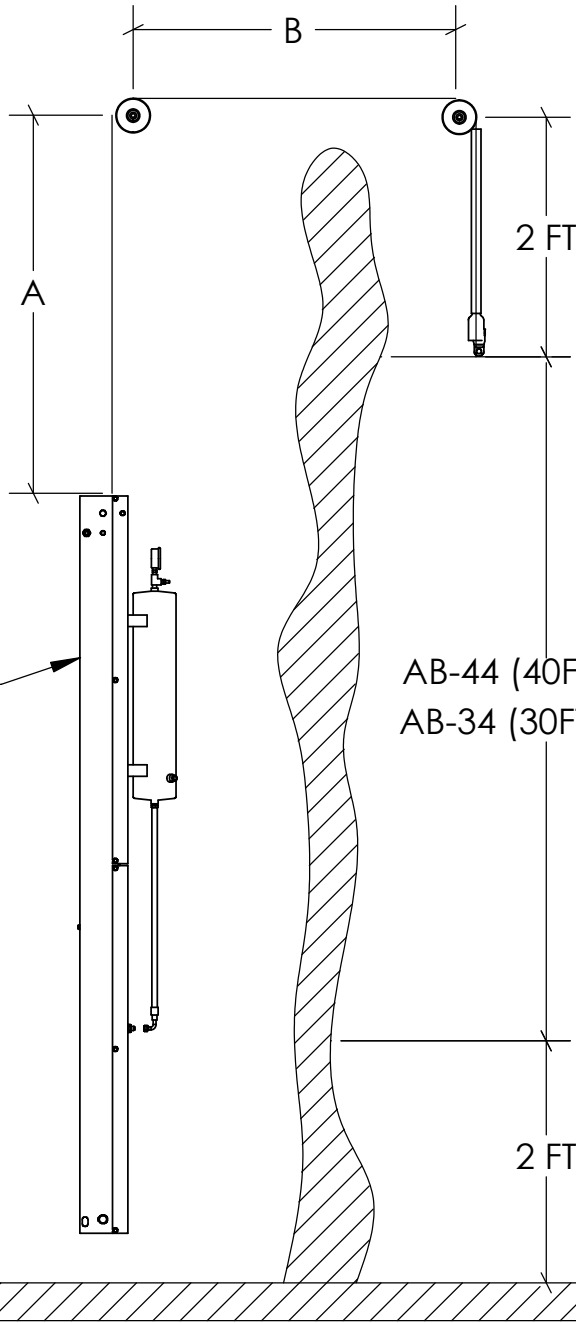


REVISIONS			
REV.	DESCRIPTION	DATE	APPROVED
A	REVISION A RELEASE	02/28/2006	AS/JW



AB-44  
9 INTERNAL PULLEYS  
52 FT INTERNAL  
CABLE MARINE EYE  
REQ. (10 FT BOX)

AB-34  
9 INTERNAL PULLEYS  
42 FT INTERNAL  
CABLE MARINE EYE  
REQ. (8 FT BOX)

AB-44 (40FT MAX)  
AB-34 (30FT MAX)

CABLE LENGTH:

**AB-44 (FT)**=52+A+B+2

**AB-34 (FT)**=42+A+B+2

THIRD ANGLE PROJECTION:	UNLESS OTHERWISE SPECIFIED:	NAME	DATE	<b>extreme engineering</b> 9198 B Ridge Road Newcastle, CA 95658 (916) 663-1560 TEL (916) 663-9246 FAX <a href="http://www.extremeengineering.com">www.extremeengineering.com</a>
	DIMENSIONS ARE IN INCHES TOLERANCES: FRACTIONAL ± ANGULAR: MACH ± BEND ± TWO PLACE DECIMAL ± THREE PLACE DECIMAL ±	DRAWN	AARON SHOOK 02/28/06	
		CHECKED		
INTERPRET GEOMETRIC TOLERANCING PER:		ENG APPR.	AARON SHOOK 02/28/06	
<b>PROPRIETARY AND CONFIDENTIAL</b> THE INFORMATION CONTAINED IN THIS DRAWING IS THE SOLE PROPERTY OF EXTREME ENGINEERING. ANY REPRODUCTION IN PART OR AS A WHOLE WITHOUT THE WRITTEN PERMISSION OF EXTREME ENGINEERING IS PROHIBITED.	MATERIAL	Q.A.		
	FINISH	COMMENTS: <b>THIS SHEET IS ONLY VALID FOR AUTO-BELAYS WITH 9 INTERNAL PULLIES. IT SHOULD NOT BE USED ON OLDER GENERATIONS.</b>		
	WEIGHT:			
		SIZE	DWG. NO.	REV
		<b>A</b>	AB34-AB44 CABLERevA	<b>A</b>
		SCALE: 1:25		SHEET 1 OF 1